

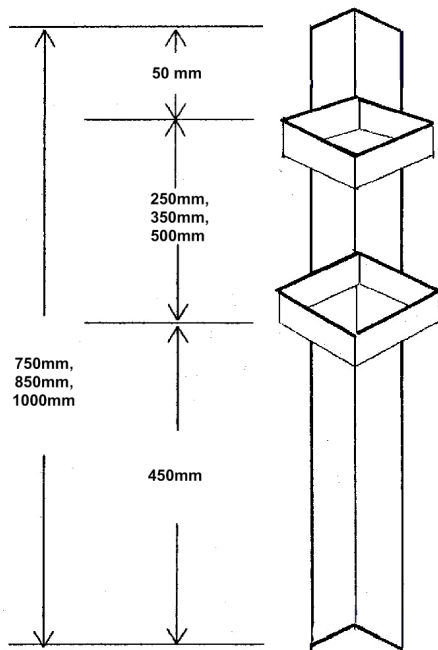


Cougar Developments (Glanford) Ltd.
 6th Avenue, Flixborough Industrial Estate, Scunthorpe,
 North Lincolnshire, DN15 8SH.
 Telephone: 01724 841111
 Fax: 01724 841144
 Email: sales@cougardevelopments.co.uk
 Web: http://www.cougardevelopments.co.uk

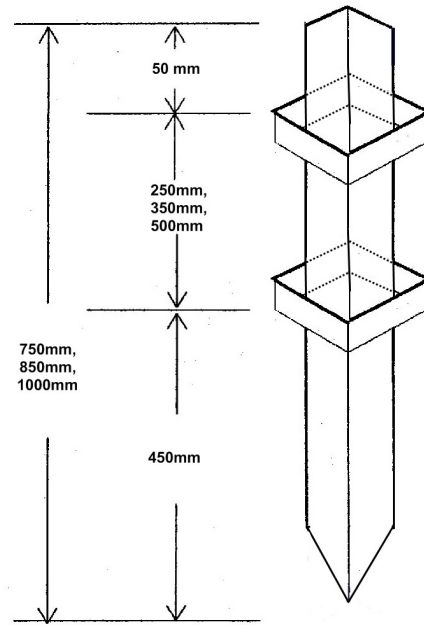
SpeedFix Sign Board Support Stakes

- Timesaving
- Quick to get in – and out!
- Avoids problems with swollen posts
- Sturdy, Durable
- Available 'made to measure'

* Internal Bracket Option

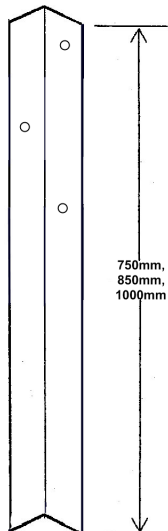


* External Bracket Option * Flanged Point Option



* Plain Metal Stake Option

* Punched Option



- Brackets sizes :

60 x 60 mm
75 x 50 mm

- Manufactured in Steel Angle:

40 x 40 x 3 mm
40 x 40 x 5 mm

- Finish:

Blue Painted
Plain Metal.

Want something different? - Please ask!